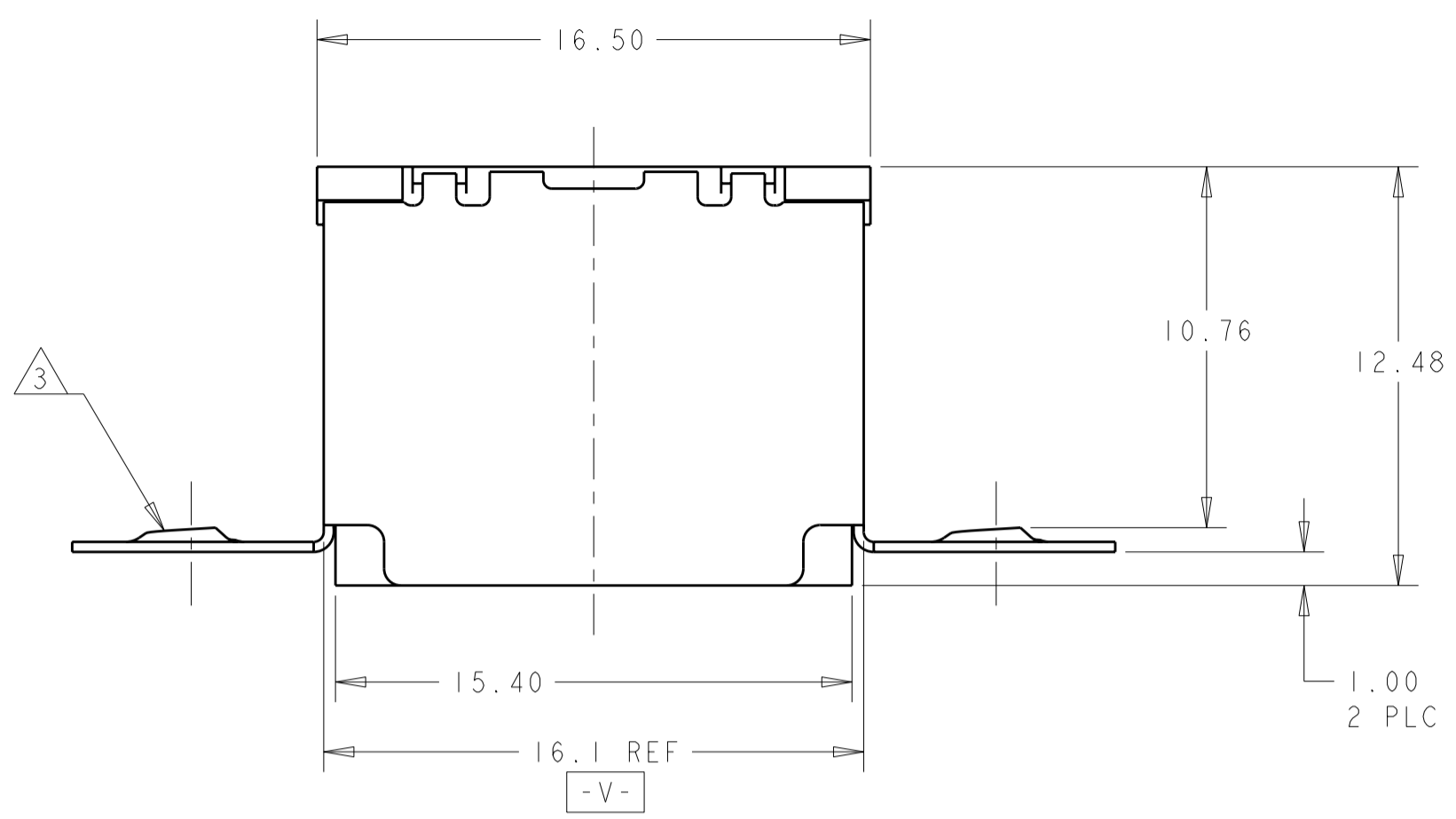
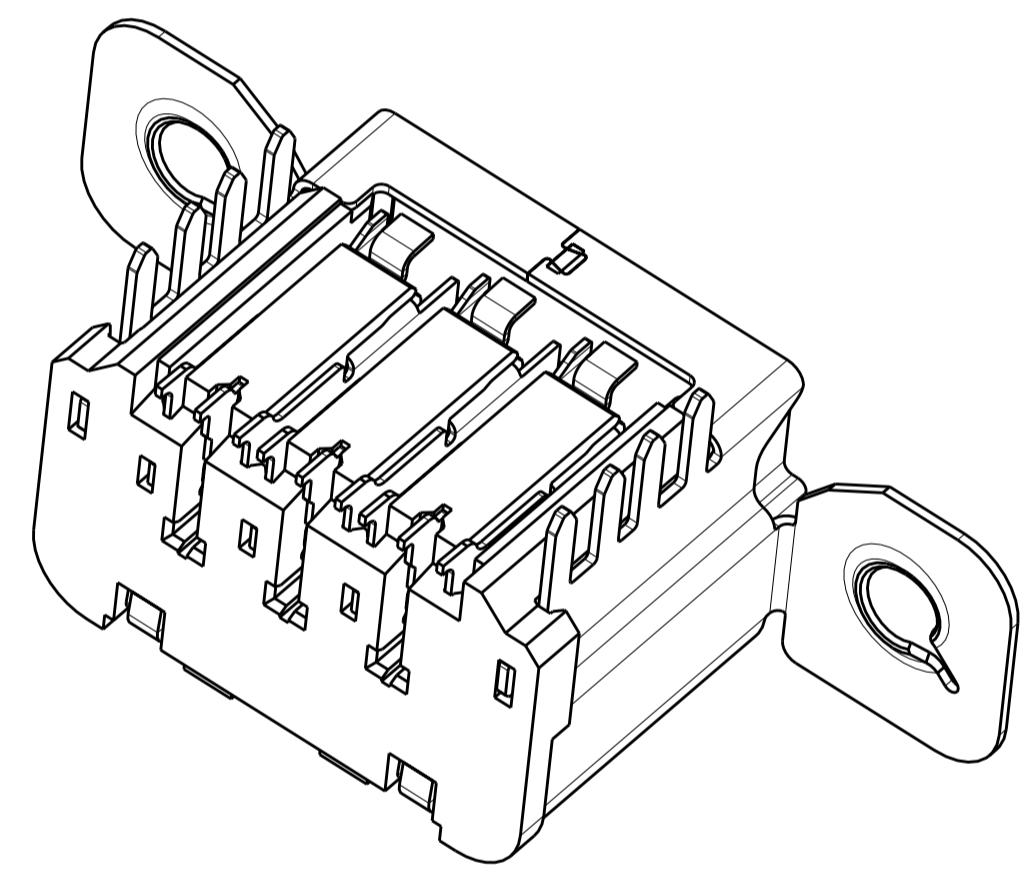
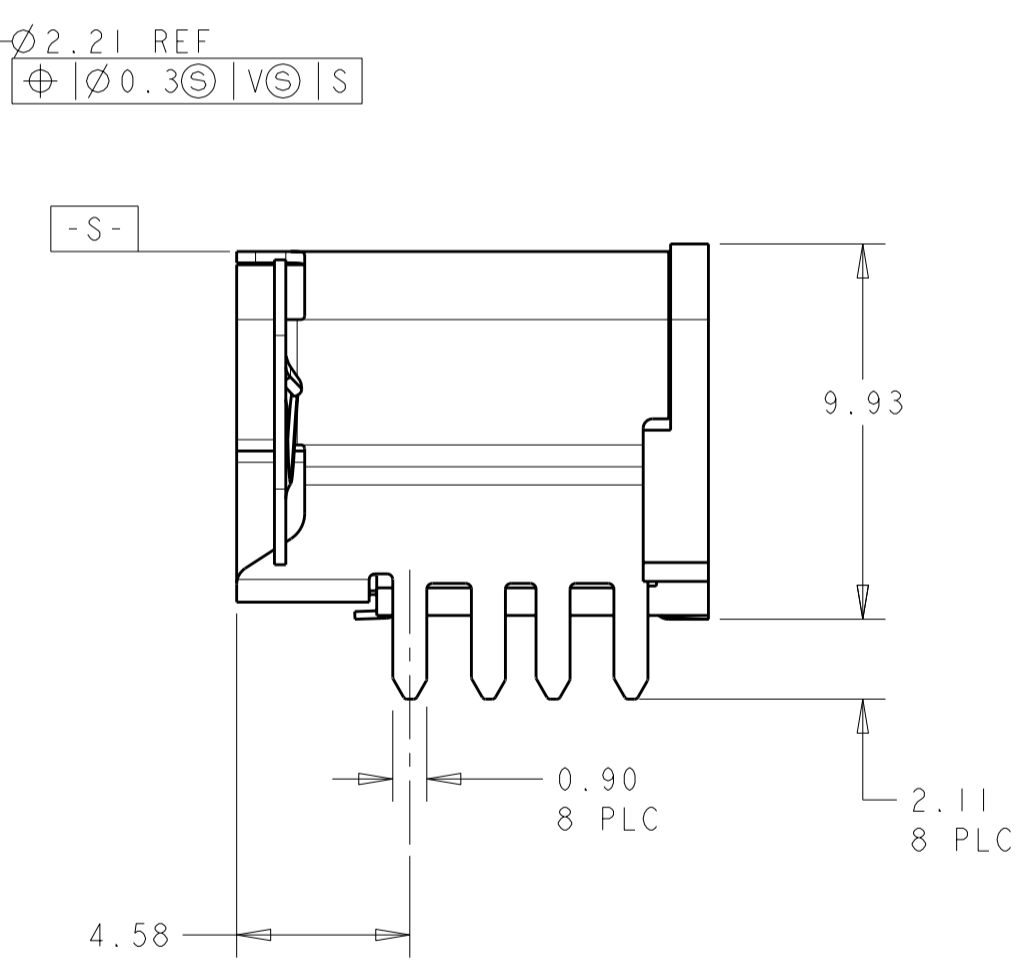
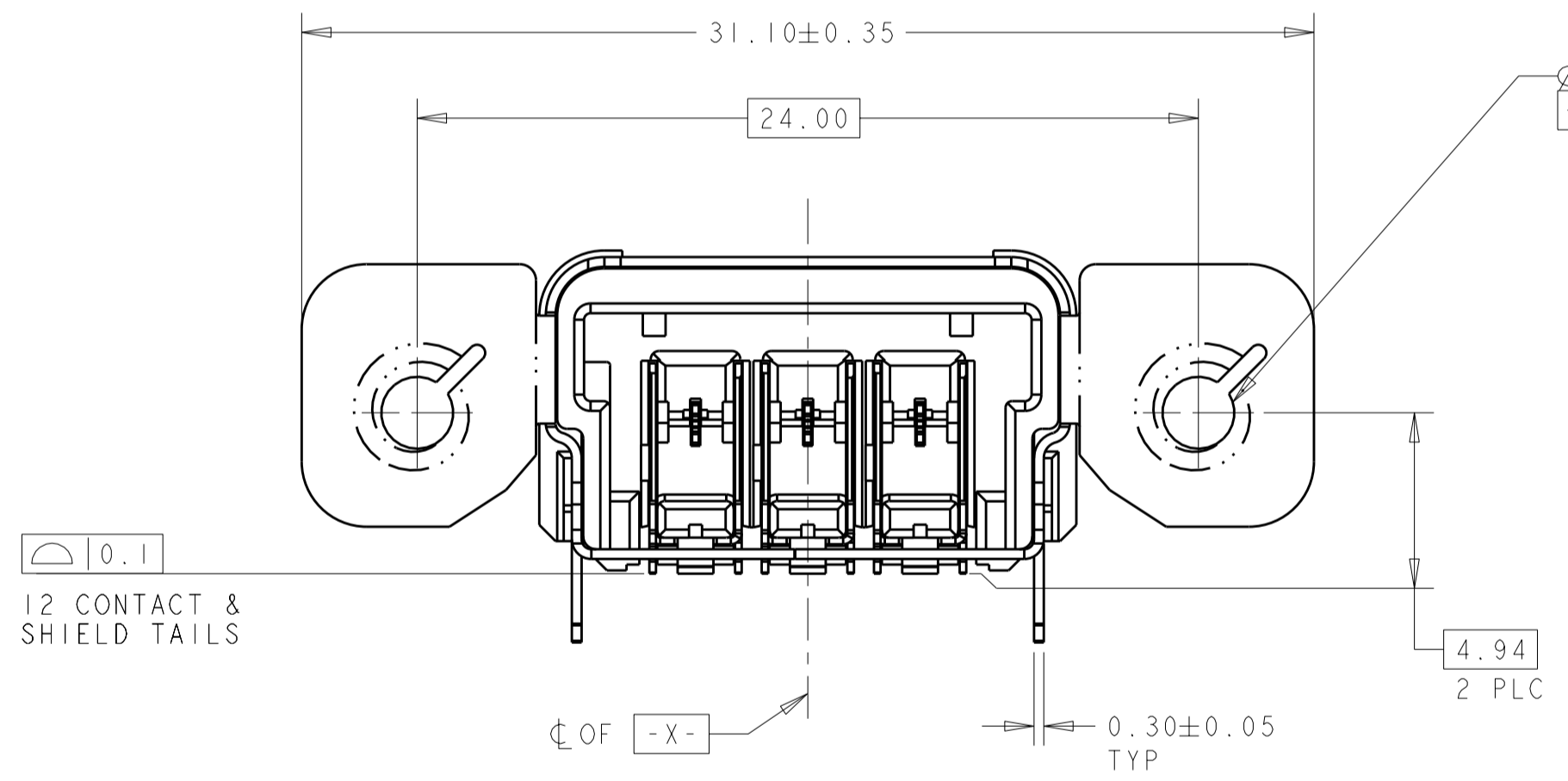


THIS DRAWING IS UNPUBLISHED. RELEASED FOR PUBLICATION 20  
 © COPYRIGHT 20 BY TYCO ELECTRONICS CORPORATION. ALL RIGHTS RESERVED.

LOC	DIST	REVISIONS			
P	LTR	DESCRIPTION	DATE	DWN	APVD
AJ	00				
	E	REVISED PER ECO-07-019139	14AUG2007	KS	JC
	F	REVISED PER ECO-08-000610	31JAN2008	REH	JJC
	G	REVISED PER ECO-08-013675	18APR2008	DKS	JJC



- 1 MATERIAL:  
HOUSING: LCP UL94V0, COLOR - BLACK  
CONTACTS, SHIELDS - COPPER ALLOY  
SHELL - STEEL
- 2 PLATING:  
CONTACTS:  
CONTACT AREA - CONFORMS TO THE REQUIREMENT OF EIA/ECA-364-1000.01A (CONTROLLED ENVIRONMENT APPLICATIONS), AND TYCO ELECTRONICS PRODUCT SPECIFICATION 108-2324  
SOLDER TAIL - Sn OVER Ni  
SHIELDS: Ag OVER Ni  
SHELL: Sn OVER Ni OVER Cu
- 3 FEATURES ACCEPT 4-40 THREAD SCREWS
- 4. PRODUCT HAS NOT COMPLETED QUALIFICATION TESTING

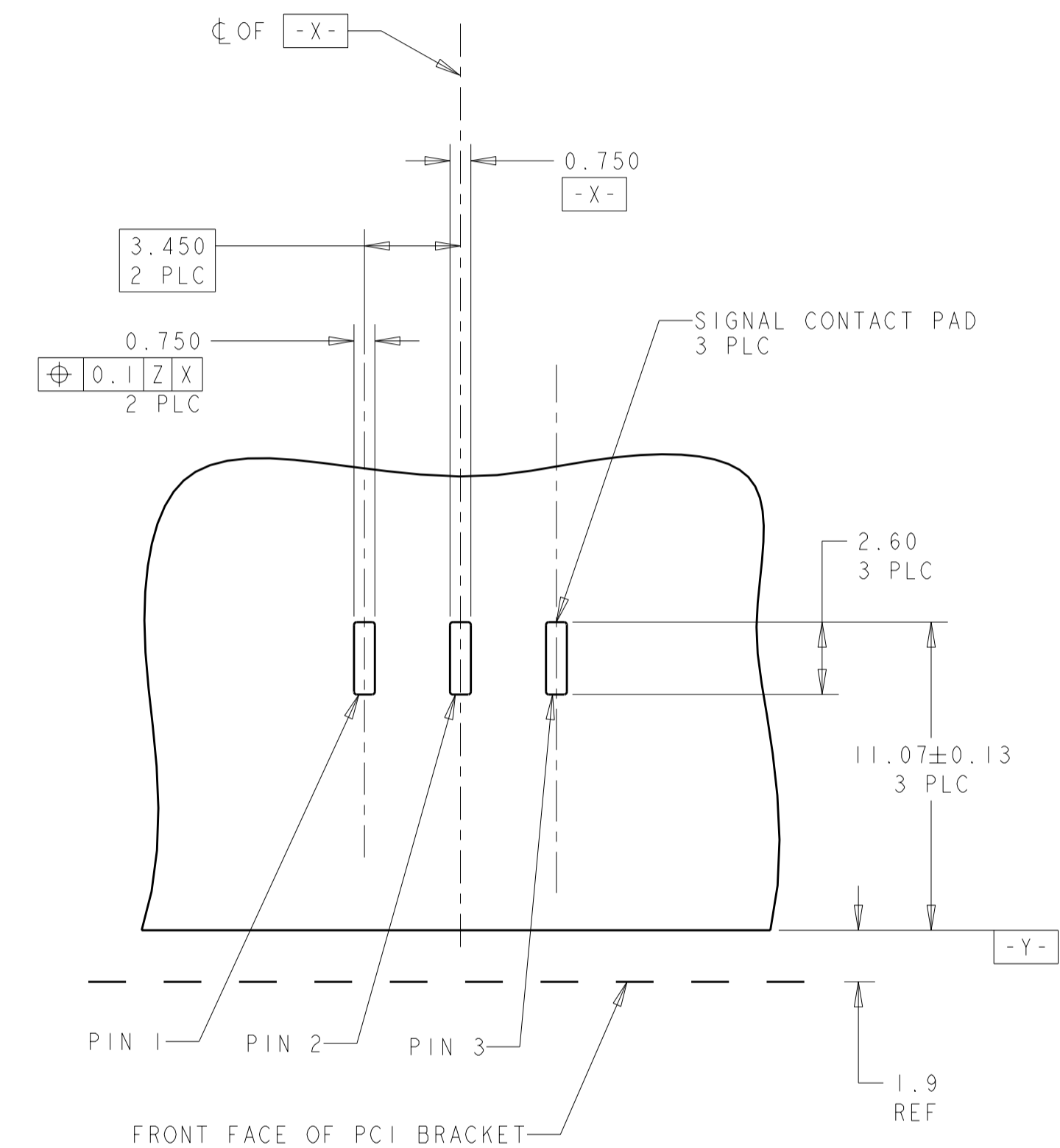
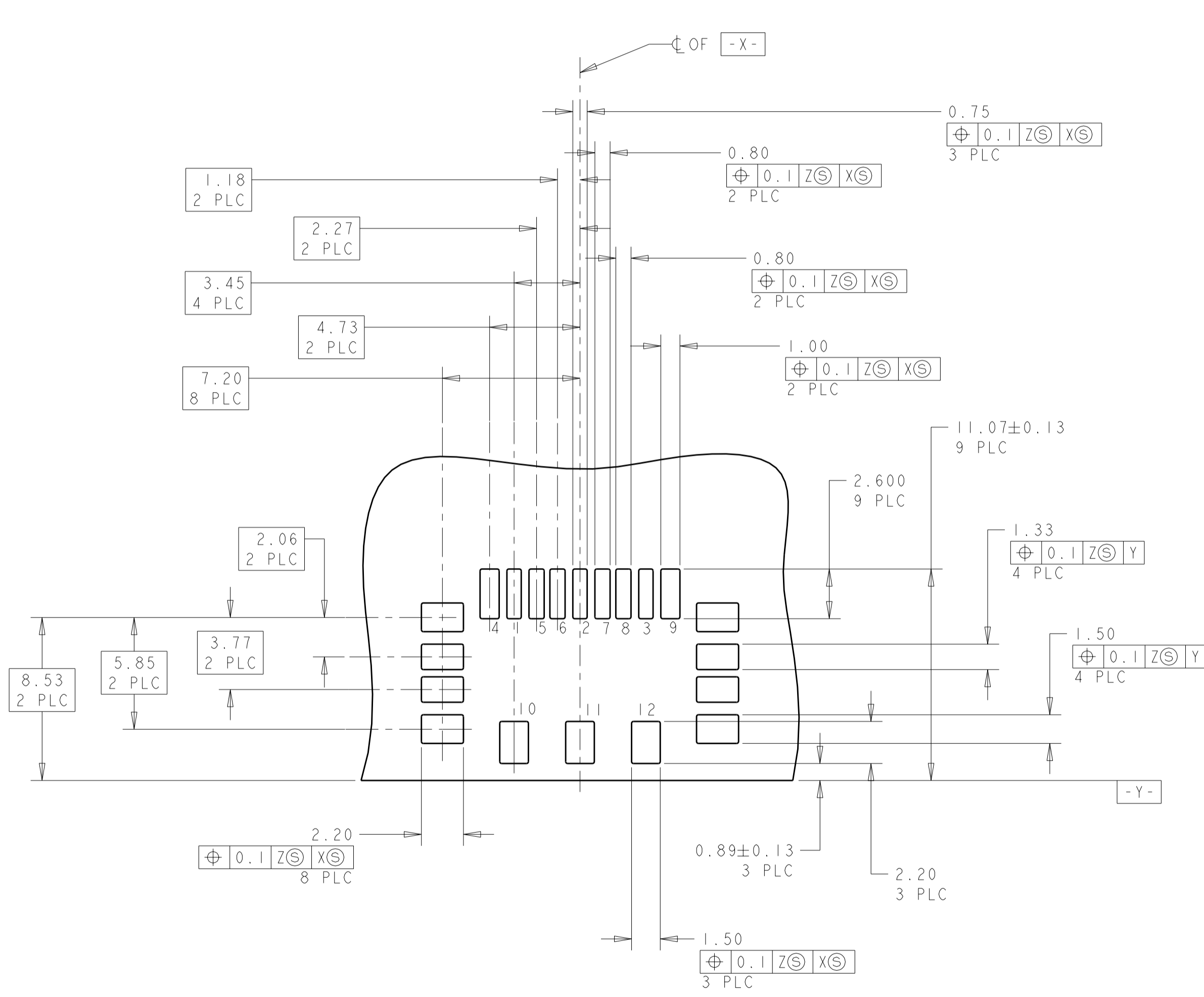


1274824-2  
PART NUMBER

THIS DRAWING IS A CONTROLLED DOCUMENT FOR TYCO ELECTRONICS CORPORATION. IT IS SUBJECT TO CHANGE AND THE CONTROLLING ENGINEERING ORGANIZATION SHOULD BE CONTACTED FOR THE LATEST REVISION.		DWN JJ CONSOLI 06DEC2006	Tyco Electronics Harrisburg, PA 17105-3608	
DIMENSIONS: mm		CHK JJ CONSOLI 24JAN2007	NAME PCB JACK, 3 PORT QSL, RIGHT ANGLE, THROUGH-HOLE, w/PANEL FLANGES	
TOLERANCES UNLESS OTHERWISE SPECIFIED: 0 PLC ±- 1 PLC ±- 2 PLC ±0.13 3 PLC ±0.013 4 PLC ±- ANGLES ±- FINISH		APVD JJ CONSOLI 24JAN2007	PRODUCT SPEC 108-2324	RESTRICTED TO -
MATERIAL		APPLICATION SPEC 114-5397	SIZE A200779	CAGE CODE C-1274824
1 -		WEIGHT -	DRAWING NO 1274824	REV G
2 -		CUSTOMER DRAWING	SCALE 5:1	SHEET 1 OF 5

THIS DRAWING IS UNPUBLISHED. RELEASED FOR PUBLICATION 20  
 © COPYRIGHT 20 BY TYCO ELECTRONICS CORPORATION. ALL RIGHTS RESERVED.

LOC	DIST	REVISIONS			
P	LTR	DESCRIPTION	DATE	DWN	APVD
		SEE SHEET 1			



RECOMMENDED PCB LAYOUT  
TOP SIGNAL LAYER PADS

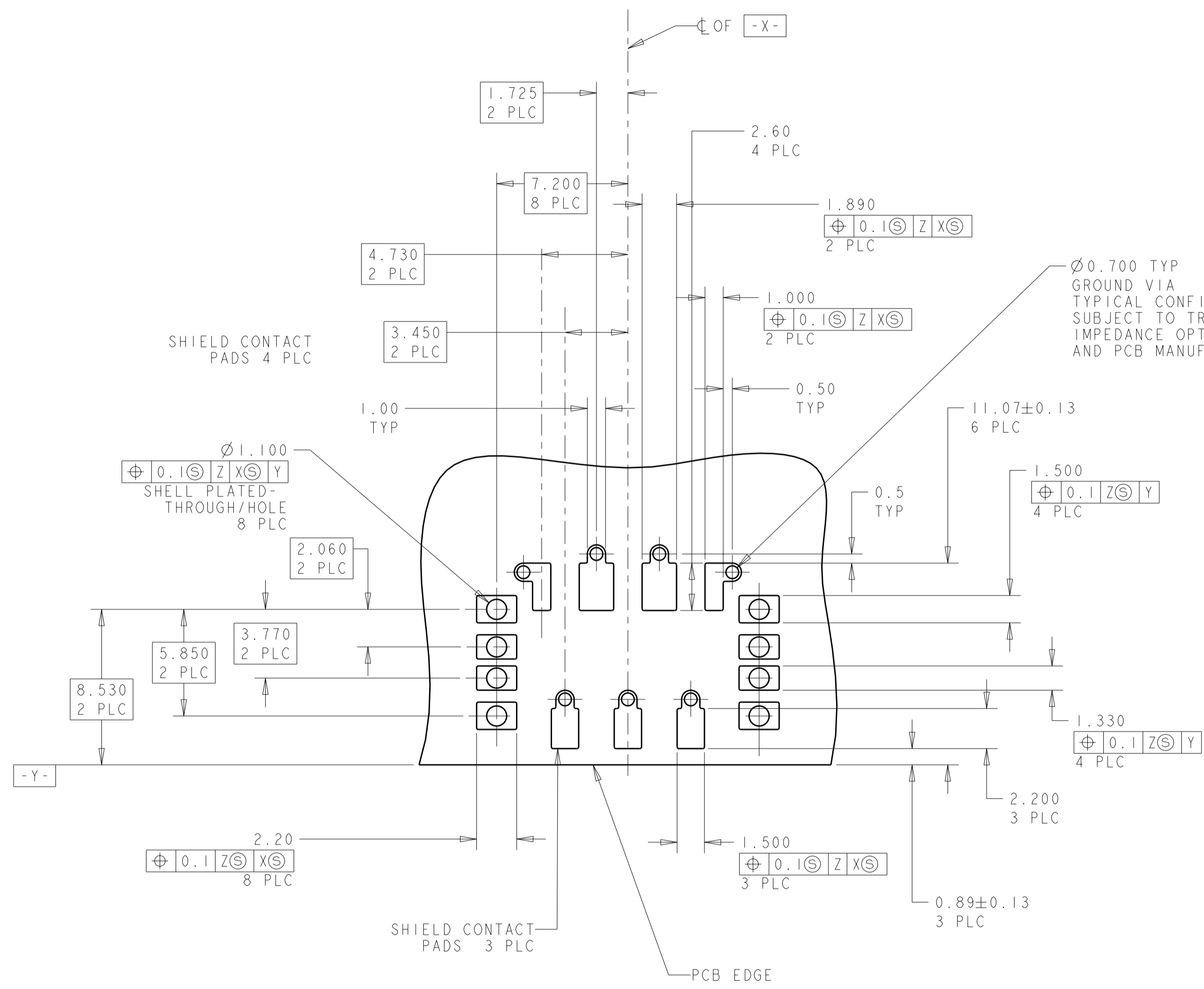
CIRCUIT "A" SIGNAL CONTACT PAD: #1  
 CIRCUIT "A" GROUND CONTACT PADS: #4, 5, 10  
 CIRCUIT "B" SIGNAL CONTACT PAD: #2  
 CIRCUIT "B" GROUND CONTACT PADS: #6, 7, 11  
 CIRCUIT "C" SIGNAL CONTACT PAD: #3  
 CIRCUIT "C" GROUND CONTACT PADS: #8, 9, 12  
 EIGHT UNMARKED PADS w/PLATED-THROUGH HOLES ARE FOR SHELL MECHANICAL HOLDDOWN TAILS

RECOMMENDED PCB  
STENCIL LAYOUT

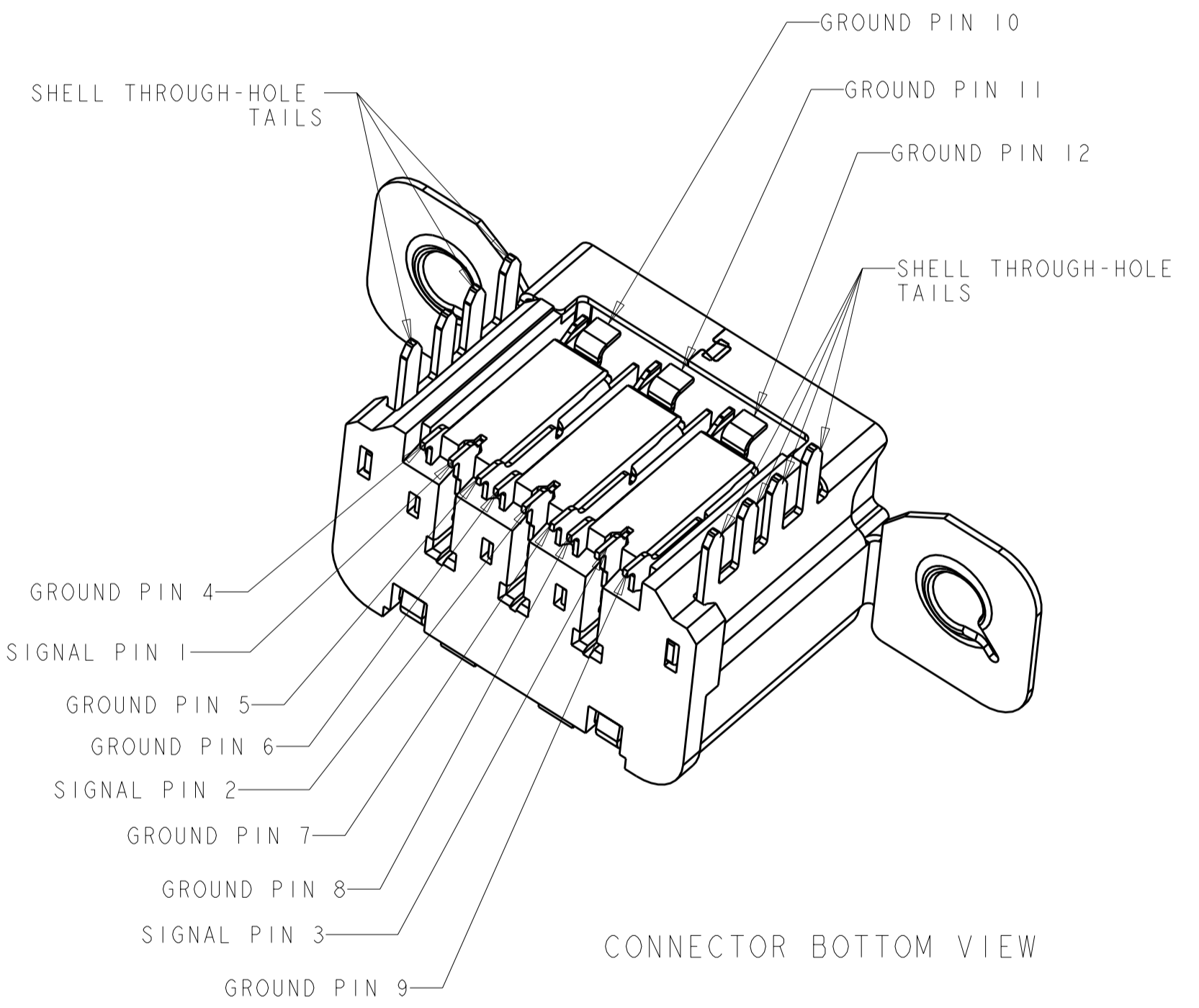
THIS DRAWING IS A CONTROLLED DOCUMENT FOR TYCO ELECTRONICS CORPORATION IT IS SUBJECT TO CHANGE AND THE CONTROLLING ENGINEERING ORGANIZATION SHOULD BE CONTACTED FOR THE LATEST REVISION.		DWN JJ CONSOLI 06DEC2006	Tyco Electronics Harrisburg, PA 17105-3608	
DIMENSIONS: mm		CHK JJ CONSOLI 24 JAN 2007	NAME PCB JACK, 3 PORT QSL, RIGHT ANGLE, THROUGH-HOLE, w/PANEL FLANGES	
TOLERANCES UNLESS OTHERWISE SPECIFIED:		APVD JJ CONSOLI 24 JAN 2007	SIZE A200779	
0 PLC $\pm$		PRODUCT SPEC 108-2324	DRAWING NO C-1274824	
1 PLC $\pm 0.13$		APPLICATION SPEC 114-5397	RESTRICTED TO -	
2 PLC $\pm 0.013$		WEIGHT -	SCALE 5:1	
3 PLC $\pm$		CUSTOMER DRAWING	SHEET 2 OF 5	
4 PLC $\pm$			REV G	
ANGLES $\pm$				
FINISH				

THIS DRAWING IS UNPUBLISHED. RELEASED FOR PUBLICATION 20  
 © COPYRIGHT 20 BY TYCO ELECTRONICS CORPORATION. ALL RIGHTS RESERVED.

LOC	DIST	REVISIONS				
P	LTR	DESCRIPTION	DATE	DWN	APVD	
AJ	00	SEE SHEET 1				



RECOMMENDED PCB LAYOUT  
TOP GROUND LAYER WITH DISCRETE PADS

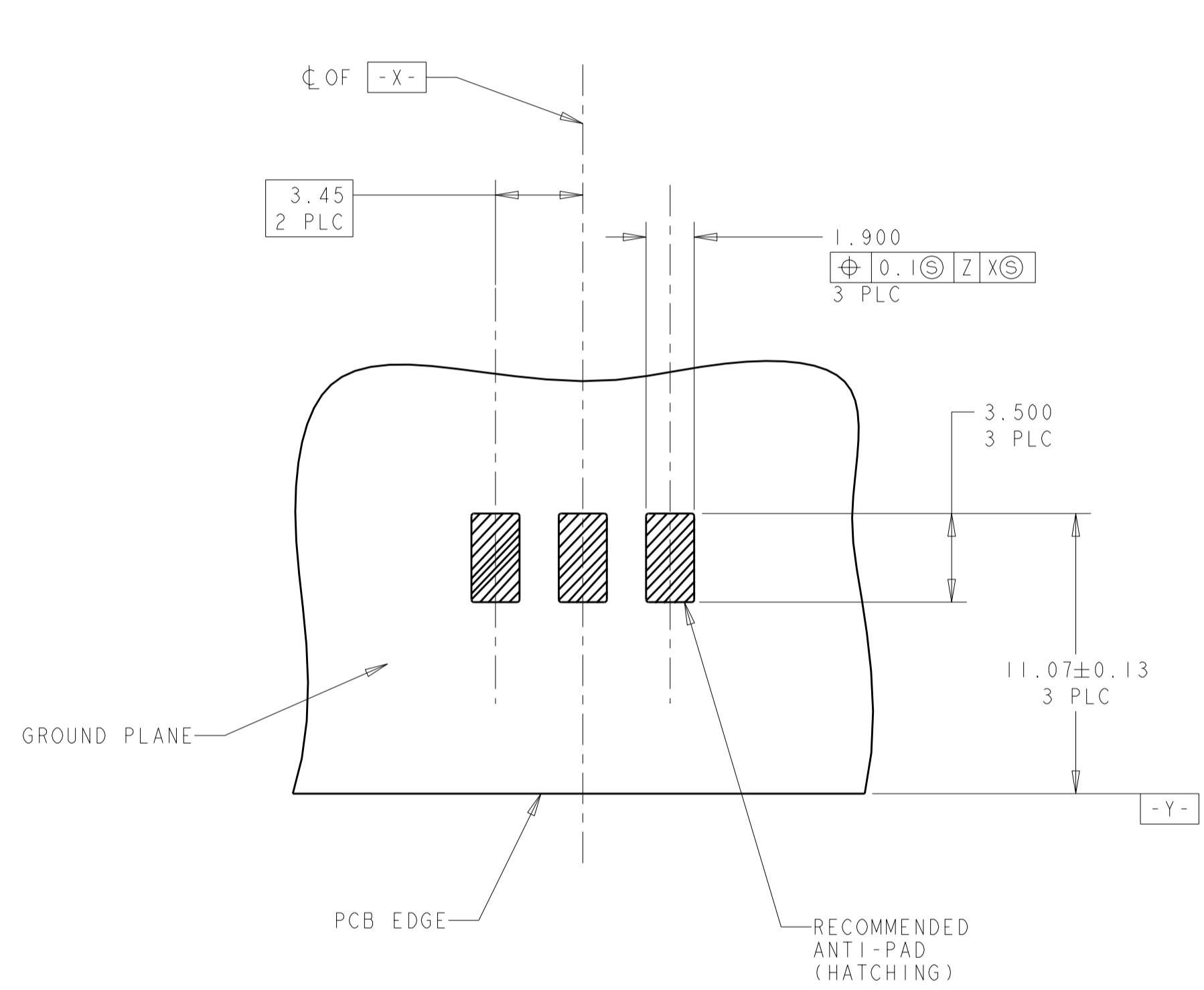


CONNECTOR BOTTOM VIEW

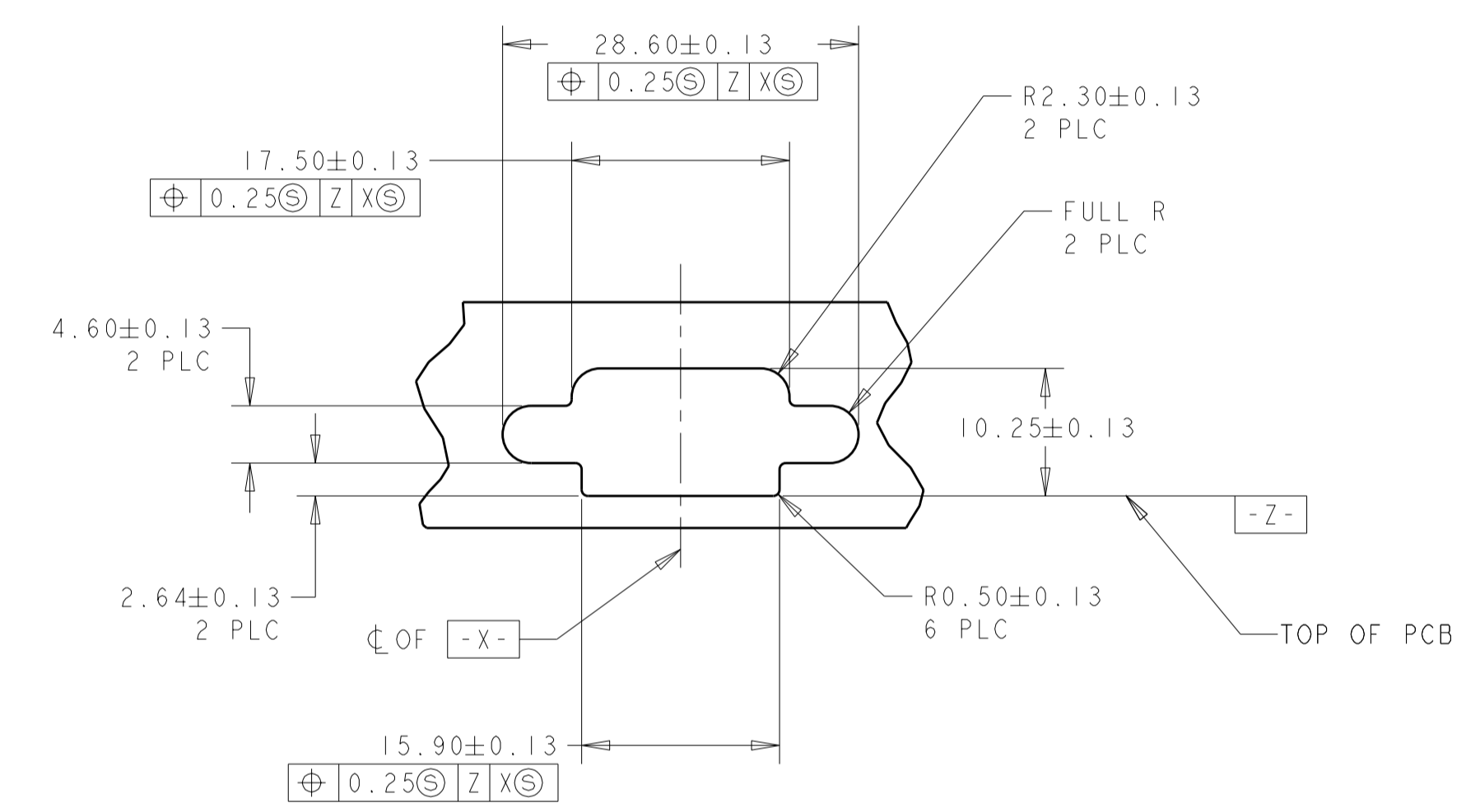
THIS DRAWING IS A CONTROLLED DOCUMENT FOR TYCO ELECTRONICS CORPORATION. IT IS SUBJECT TO CHANGE AND THE CONTROLLING ENGINEERING ORGANIZATION SHOULD BE CONTACTED FOR THE LATEST REVISION.		DWN JJ CONSOLI 06DEC2006	Tyco Electronics Harrisburg, PA 17105-3608	
DIMENSIONS: mm		CHK JJ CONSOLI 24 JAN 2007	NAME PCB JACK, 3 PORT QSL, RIGHT ANGLE, THROUGH-HOLE, w/PANEL FLANGES	
TOLERANCES UNLESS OTHERWISE SPECIFIED: 0 PLC ± 1 PLC ± 2 PLC ±0.13 3 PLC ±0.013 4 PLC ± ANGLES ± FINISH		APVD JJ CONSOLI 24 JAN 2007	SIZE A200779	
MATERIAL		PRODUCT SPEC 108-2324	DRAWING NO 114-5397	
		APPLICATION SPEC 114-5397	RESTRICTED TO -	
		WEIGHT -	SCALE 5:1 SHEET 3 OF 5 REV G	
		CUSTOMER DRAWING		

THIS DRAWING IS UNPUBLISHED. RELEASED FOR PUBLICATION 20  
 © COPYRIGHT 20 BY TYCO ELECTRONICS CORPORATION. ALL RIGHTS RESERVED.

LOC	DIST	REVISIONS			
P	LTR	DESCRIPTION	DATE	DWN	APVD
AJ	00	-	SEE SHEET 1	-	-



RECOMMENDED PCB LAYOUT  
 OF ANTIPADS FOR ALL GROUND AND POWER LAYERS

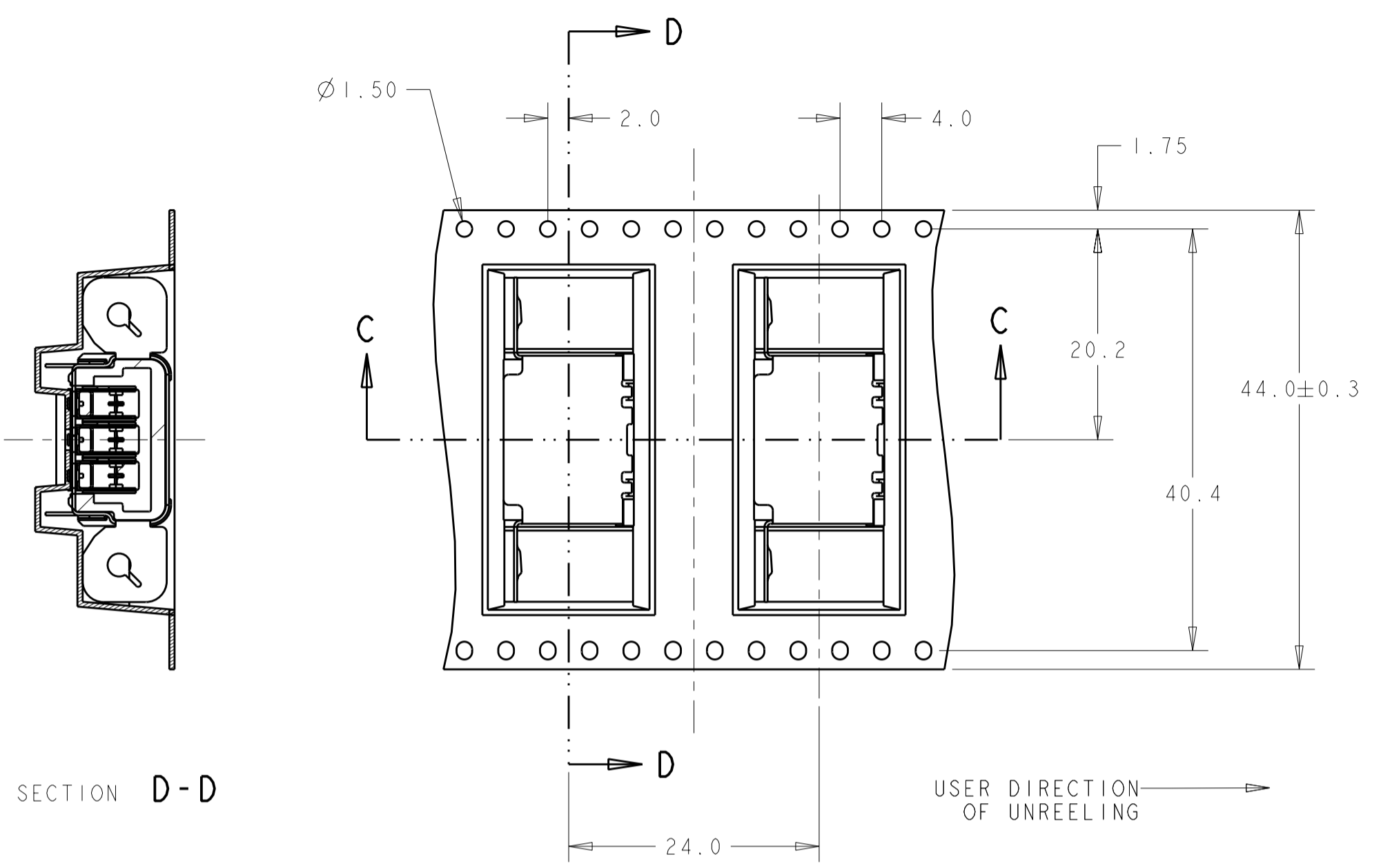


RECOMMENDED BRACKET CUT-OUT  
 SCALE 2:1

THIS DRAWING IS A CONTROLLED DOCUMENT FOR TYCO ELECTRONICS CORPORATION. IT IS SUBJECT TO CHANGE AND THE CONTROLLING ENGINEERING ORGANIZATION SHOULD BE CONTACTED FOR THE LATEST REVISION.		DWN JJ CONSOLI 06DEC2006	Tyco Electronics Harrisburg, PA 17105-3608	
DIMENSIONS: mm		CHK JJ CONSOLI 24 JAN 2007	NAME PCB JACK, 3 PORT QSL, RIGHT ANGLE, THROUGH-HOLE, w/PANEL FLANGES	
TOLERANCES UNLESS OTHERWISE SPECIFIED: 0 PLC ± 1 PLC ± 2 PLC ±0.13 3 PLC ±0.013 4 PLC ± ANGLES ± FINISH ±		APVD JJ CONSOLI 24 JAN 2007	SIZE A200779	
MATERIAL		PRODUCT SPEC 108-2324	DRAWING NO C-1274824	
		APPLICATION SPEC 114-5397	RESTRICTED TO -	
		WEIGHT -	SCALE 5:1 SHEET 4 OF 5 REV G	
		CUSTOMER DRAWING		

THIS DRAWING IS UNPUBLISHED. RELEASED FOR PUBLICATION 20  
 © COPYRIGHT 20 BY TYCO ELECTRONICS CORPORATION. ALL RIGHTS RESERVED.

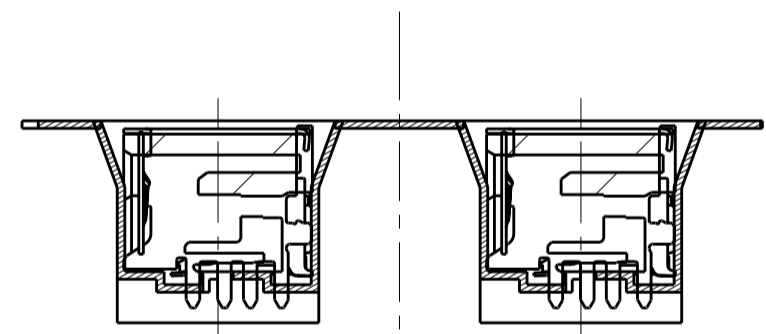
LOC		DIST		REVISIONS				
P	LTR	DATE	DWN	APVD	DESCRIPTION			
AJ	00	-	-	-	SEE SHEET 1			



SECTION D-D

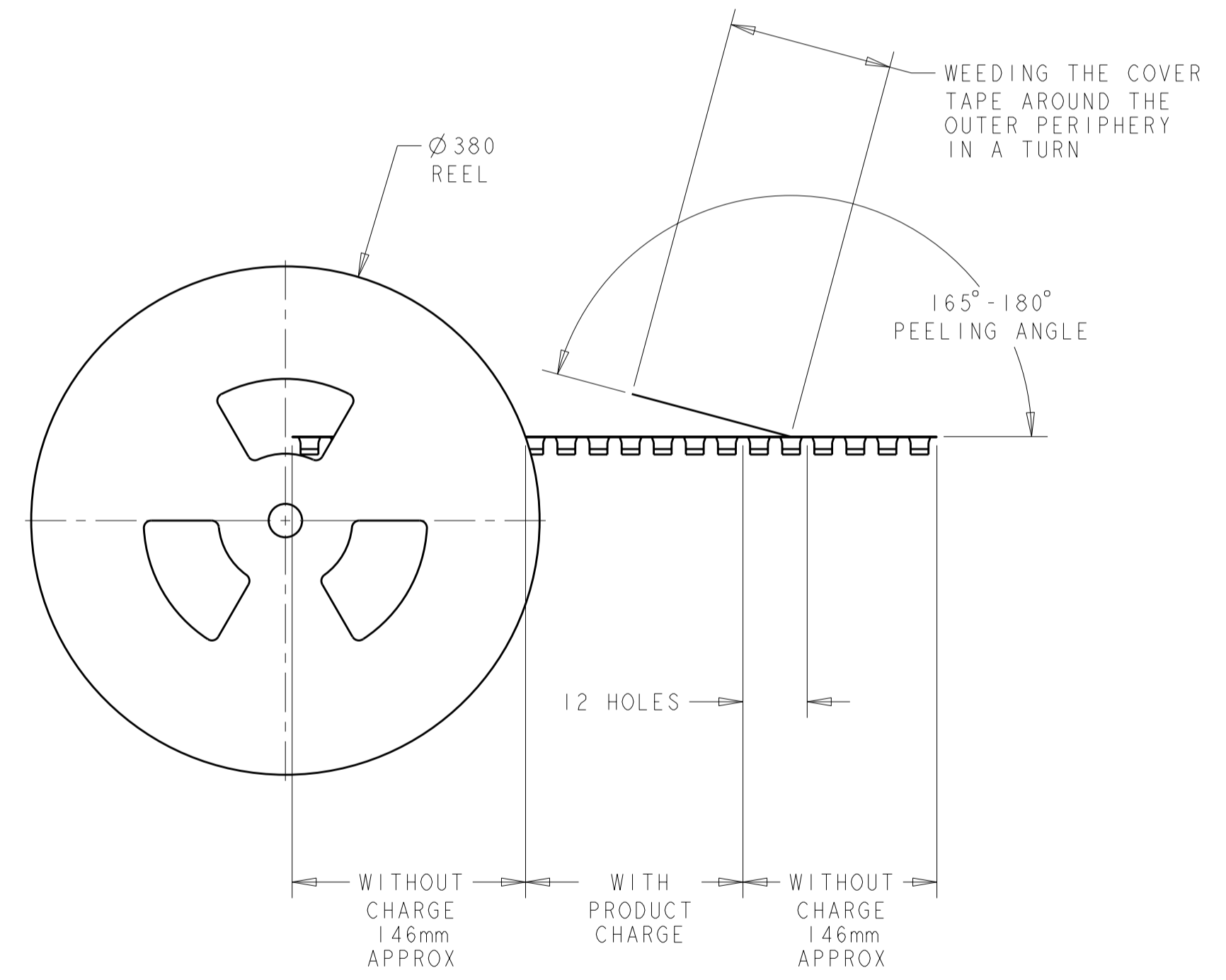
USER DIRECTION OF UNREELING →

SCALE 2:1



SECTION C-C

44.4 REF  
50.4 REF



270 PIECES/REEL

SCALE 1:4

THIS DRAWING IS A CONTROLLED DOCUMENT FOR TYCO ELECTRONICS CORPORATION. IT IS SUBJECT TO CHANGE AND THE CONTROLLING ENGINEERING ORGANIZATION SHOULD BE CONTACTED FOR THE LATEST REVISION.		DWN JJ CONSOLI 06DEC2006	Tyco Electronics Harrisburg, PA 17105-3608	
DIMENSIONS: mm		CHK JJ CONSOLI 24 JAN 2007	NAME PCB JACK, 3 PORT QSL, RIGHT ANGLE, THROUGH-HOLE, w/PANEL FLANGES	
TOLERANCES UNLESS OTHERWISE SPECIFIED: 0 PLC ± 1 PLC ± 2 PLC ±0.13 3 PLC ±0.013 4 PLC ± ANGLES ± FINISH ±		APVD JJ CONSOLI 24 JAN 2007	SIZE A200779	
MATERIAL		PRODUCT SPEC 108-2324	DRAWING NO C-1274824	
-		APPLICATION SPEC 114-5397	RESTRICTED TO -	
-		WEIGHT -	SCALE 5:1 SHEET 5 OF 5 REV G	
-		CUSTOMER DRAWING	-	